

# 100G QSFP28 ER4 Lite

## Datasheet



### Features:

- 4 independent LAN-WDM channels
- Up to 25.78125Gbps data rate per channel
- Duplex LC receptacles
- Hot-pluggable QSFP28 form factor
- Digital diagnostic capabilities
- LAN WDM EML laser and APD Receiver
- Maximum link length of 30km on Single Mode Fiber(SMF)
- Single +3.3V power supply
- Operating case temperature: 0~70°C
- Low power consumption < 4.5W
- RoHS-6 compliant

### Applications:

- 100GBASE ER4 Lite 100G Ethernet

### Product Description

The TQS-HG30-31DCR is a parallel 100Gbps Quad Small Form-factor Pluggable (QSFP) optical module. It provides increased port density and total system cost savings. The QSFP28 full-duplex optical module offers 4 independent transmit and receive channels, each capable of 25.78125Gbps operation for an aggregate data rate of 100Gbps over 30km of single mode fiber.

An optical fiber cable with duplex LC connectors can be plugged into the QSFP28 module receptacle.

The module operates by a single +3.3V power supply. LVCMOS/LVTTL global control signals, such as Module Present, Reset, Interrupt and Low Power Mode, are available with the modules. A 2-wire serial interface is available to send and receive more complex control signals, and to receive digital diagnostic information.

The TQS-HG30-31DCR is designed with form factor, optical/electrical connection and digital diagnostic interface according to the QSFP Multi-Source Agreement (SFF-8636). It has been designed to meet the harshest external operating conditions including temperature, humidity and EMI interference. The module offers very high functionality and feature integration, accessible via a two-wire serial interface.

## Ordering information

Part No.	Data Rate	Laser	Fiber Type	Distance* <sup>Note1</sup>	Optical Interface	Latch Color	Temp. * <sup>Note2</sup>	DDMI
TQS-HG30-31DCR	100Gbps	EML	SMF	30km	LC	Orange Red	ST	Y

Note1: 10km with 9/125µm SMF

Note2: ST: 0 ~ +70 deg C

## Regulatory Compliance

Feature	Standard	Performance
Electrostatic Discharge (ESD) to the Electrical Pins	MIL-STD-883G Method 3015.7	HBM class 1, 1000volts and above, Contact discharge on Golden Finger.
Electrostatic Discharge to the enclosure	IEC-61000-4-2 GR-1089-CORE	Compliant with standards.
Electromagnetic Interference (EMI)	FCC Part 15 Class B EN55022:2006 VCCI Class B	Compliant with standards Noise frequency range: 30MHz to 18 GHz. System margins depend on customer host board and chassis design.
Immunity	IEC 61000-4-3	Compliant with standards.
Laser Eye Safety	FDA 21CFR 1040.10 and 1040.11 EN (IEC) 60825-1:2007 EN (IEC) 60825-2:2004+A1	CDRH compliant and Class I laser product.
Component Recognition	UL and CUL EN60950-1:2006	Compliant with standards.
RoHS6	2002/95/EC 4.1&4.2 2005/747/EC 5&7&13	Compliant with standards* <sup>note3</sup>

Note3:

In light of item 5 in RoHS exemption list of RoHS Directive 2002/95/EC, Item 5: Lead in glass of cathode ray tubes, electronic components and fluorescent tubes.

In light of item 13 in RoHS exemption list of RoHS Directive 2005/747/EC, Item 13: Lead and cadmium in optical and filter glass. The three exemptions are being concerned for Trixon transceivers, because Trixon transceivers use glass, which may contain Pb, for components such as lenses, windows, isolators, and other electronic components.

## Absolute Maximum Ratings\*<sup>Note4</sup>

Parameter	Symbol	Min	Max	Unit
Storage Temperature	Tst	-40	85	degC
Relative Humidity (non-condensation)	RH	15	85	%
Supply Voltage	VCC	-0.5	3.6	V
Voltage on LVTTTL Input	Vilvttl	-0.5	VCC+0.5	V
LVTTTL Output Current	Iolvttl	-	20	mA

Note4: Exceeding any one of these values may destroy the device permanently.

## Recommended Operating Conditions

Parameter	Symbol	Min	Typical	Max	Unit	Notes
-----------	--------	-----	---------	-----	------	-------

Operating Case Temperature	Topc	0	-	70	°C
Power Supply Voltage	VCC	3.135	-	3.465	V
Fiber Length: SMF		-	-	30	km

## Performance Specifications – Electrical

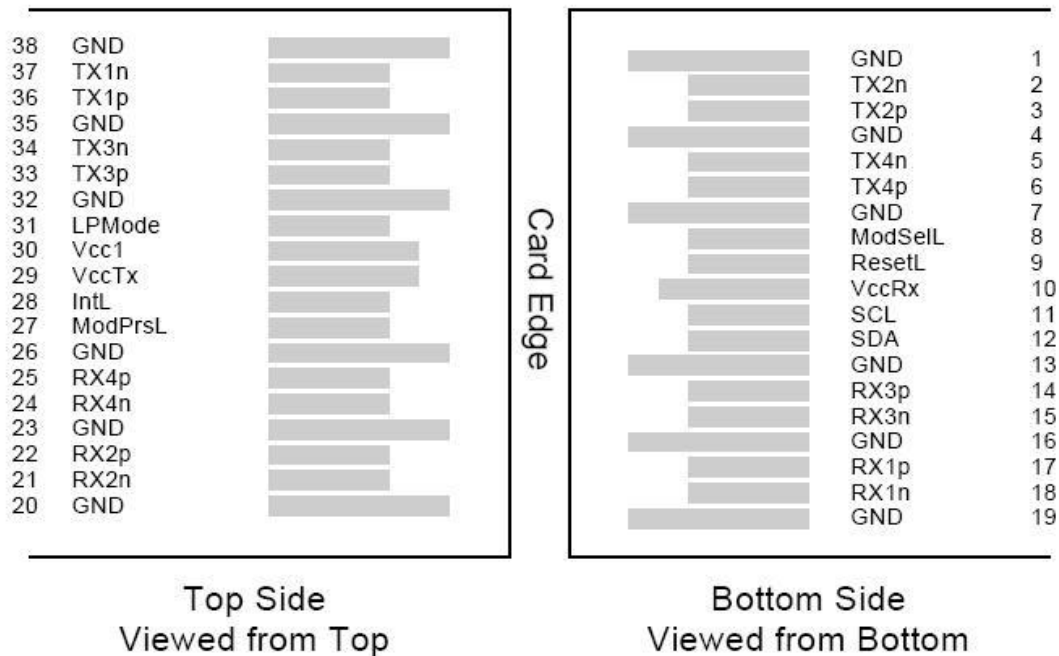
Parameter	Symbol	Min	Typ.	Max	Unit	Notes
Data Rate, each Lane		-	25.78125	-	Gbps	
Power Consumption (XLPPi)		-	-	4.5	W	
Supply Current	ICC	-	-	1450	mA	
Control I/O Voltage, High	VIH	VCC*0.7	-	VCC+0.3	V	
Control I/O Voltage, Low	VIL	-0.3	-	VCC*0.3	V	
Differential Data Input Amplitude	VI	95	-	900	mV	
Tx Input Diff Impedance	ZIN	85	100	115	Ω	
Differential Data Output Amplitude	Vo	150		900	mV	
Rx Output Diff Impedance	ZOUT	85	100	115	Ω	

## Performance Specifications – Optical

Parameter	Symbol	Min	Typ.	Max	Unit
<b>Transmitter</b>					
Center Wavelength	λ	1294.53	1295.56	1296.59	nm
		1299.02	1300.05	1301.09	
		1303.54	1304.58	1305.63	
		1309.09	1309.14	1310.19	
Side-mode Suppression ratio	SMSR	30	-	-	dB
Average Optical Power, each Lane	Pavg	-2.5	-	6.5	dBm
Extinction Ratio	ER	4.5	-	-	dB
Optical Modulation Amplitude (OMA), (Each Lane)	OMA	0.5	-	6.5	dBm
Transmitter Eye Mask Definition		{0.25, 0.4, 0.45, 0.25, 0.28, 0.4}			
Average Launch Power OFF Transmitter, each Lane	Poff	-	-	-30	dBm
Transmitter and Dispersion Penalty (Each Lane)	TDP			3	dB
Optical Return Loss Tolerance	ORLT	20			dB

Receiver					
Center Wavelength	$\lambda$	1294.53	1295.56	1296.59	nm
		1299.02	1300.05	1301.09	
		1303.54	1304.58	1305.63	
		1309.09	1309.14	1310.19	
Receiver sensitivity (OMA), each lane at $5 \times 10^{-5}$ BER		-	-18.5		dBm
Stressed receiver sensitivity (OMA), each lane			-16		dBm
Damage threshold, each lane		-2.5			dBm
Average Receive Power (Each Lane)		-20.5		-3.5	dBm
Receiver Reflectance		-	-	-26	dB

## Pin Descriptions



## Pin Function Definitions

PIN	Logic	Symbol	Name/Description	Note
1		GND	Ground	1
2	CML-I	Tx2n	Transmitter Inverted Data Input	
3	CML-I	Tx2p	Transmitter Non-Inverted Data output	
4		GND	Ground	1
5	CML-I	Tx4n	Transmitter Inverted Data Input	
6	CML-I	Tx4p	Transmitter Non-Inverted Data output	
7		GND	Ground	1
8	LVTTLL-I	ModSelL	Module Select	
9	LVTTLL-I	ResetL	Module Reset	
10		VccRx	+ 3.3V Power Supply Receiver	2
11	LVC MOS-I/O	SCL	2-Wire Serial Interface Clock	
12	LVC MOS-I/O	SDA	2-Wire Serial Interface Data	

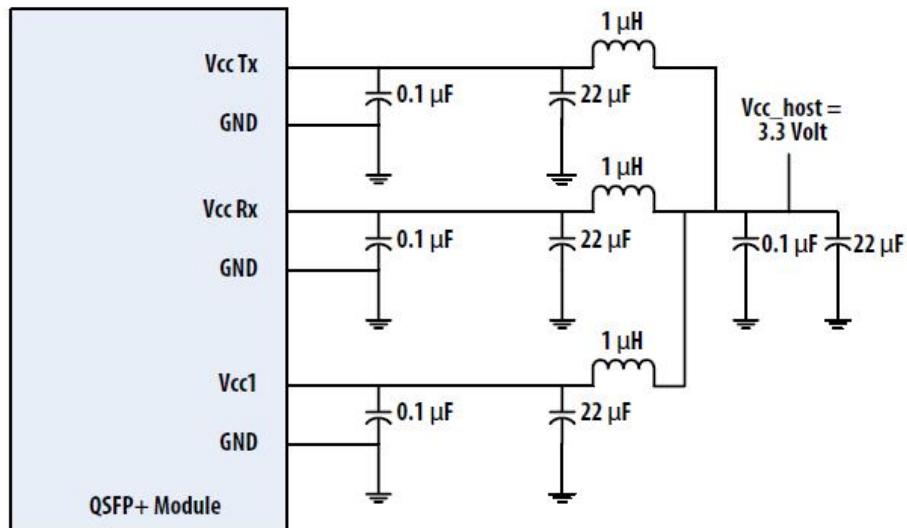
13		GND	Ground	
14	CML-O	Rx3p	Receiver Non-Inverted Data Output	
15	CML-O	Rx3n	Receiver Inverted Data Output	
16		GND	Ground	1
17	CML-O	Rx1p	Receiver Non-Inverted Data Output	
18	CML-O	Rx1n	Receiver Inverted Data Output	
19		GND	Ground	1
20		GND	Ground	1
21	CML-O	Rx2n	Receiver Inverted Data Output	
22	CML-O	Rx2p	Receiver Non-Inverted Data Output	
23		GND	Ground	1
24	CML-O	Rx4n	Receiver Inverted Data Output	1
25	CML-O	Rx4p	Receiver Non-Inverted Data Output	
26		GND	Ground	1
27	LVTTTL-O	ModPrsL	Module Present	
28	LVTTTL-O	IntL	Interrupt	
29		VccTx	+3.3 V Power Supply transmitter	2
30		Vcc1	+3.3 V Power Supply	2
31	LVTTTL-I	LPMODE	Low Power Mode	
32		GND	Ground	1
33	CML-I	Tx3p	Transmitter Non-Inverted Data Input	
34	CML-I	Tx3n	Transmitter Inverted Data Output	
35		GND	Ground	1
36	CML-I	Tx1p	Transmitter Non-Inverted Data Input	
37	CML-I	Tx1n	Transmitter Inverted Data Output	
38		GND	Ground	1

Note1. GND is the symbol for signal and supply (power) common for QSFP modules. All are common within the QSFP module and all module voltages are referenced to this potential unless otherwise noted. Connect these directly to the host board signal common ground plane.

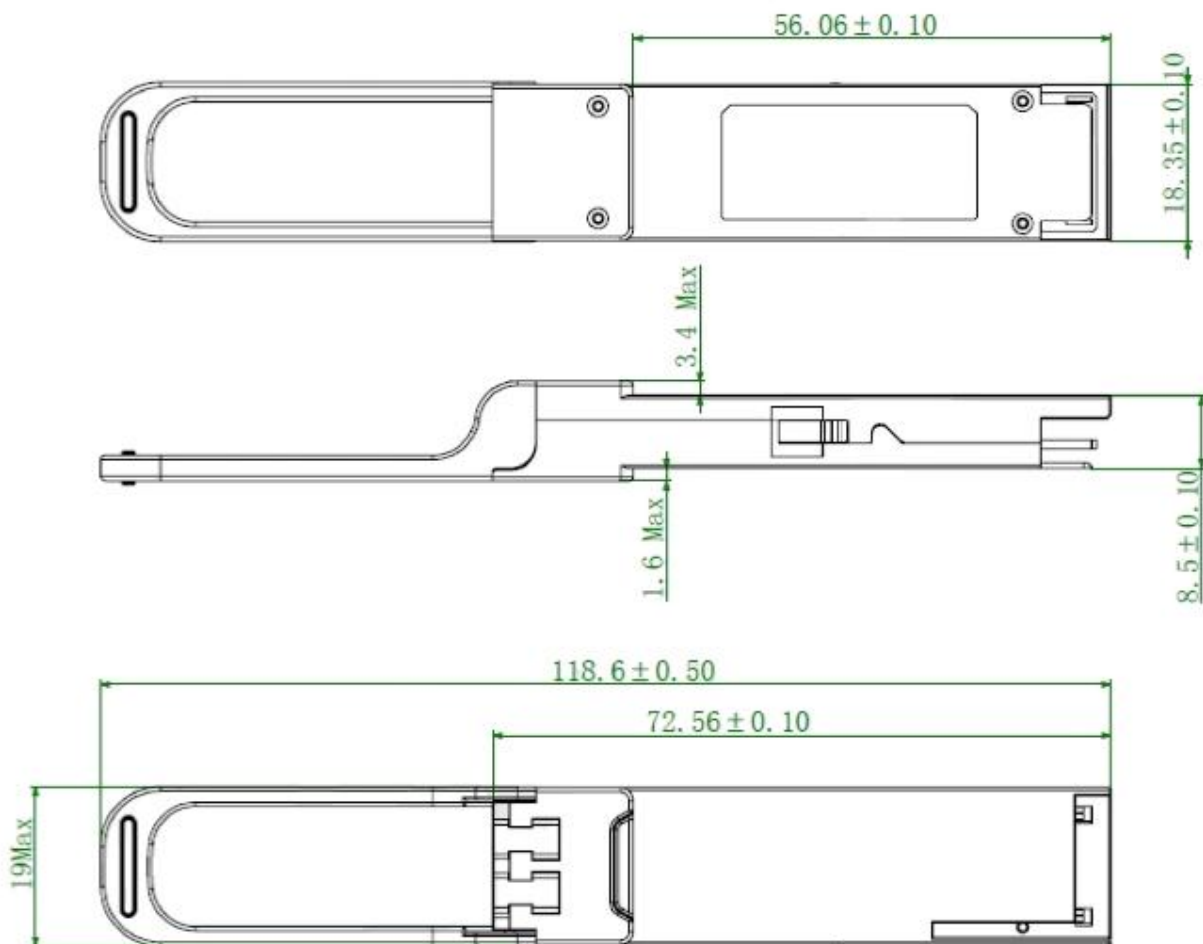
Note2. VccRx, Vcc1 and VccTx are the receiver and transmitter power suppliers and shall be applied concurrently.

Recommended host board power supply filtering is shown below. Vcc Rx, Vcc1 and Vcc Tx may be internally connected within the QSFP transceiver module in any combination. The connector pins are each rated for a maximum current of 500mA.

## Recommended Host Board Power Supply Circuit



## Mechanical Dimension



All dimensions in mm

## Eye Safety

These transceivers are Class 1 laser products. It complies with IEC-60825 and FDA 21 CFR 1040.10 and 1040.11. The

transceiver must be operated within the specified temperature and voltage limits. The optical ports of the module shall be terminated with an optical connector or with a dust plug.

## Obtaining Document

You can visit our website: <http://www.trixontech.com>

Or contact Trixon Inc. listed at the end of the documentation to get the latest document.

## Notice

Trixon reserves the right to make changes to or discontinue any optical link product or service identified in this publication, without notice, in order to improve design and/or performance.

Applications that are described herein for any of the optical link products are for illustrative purposes only. Trixon makes no representation or warranty that such applications will be suitable for the specified use without further testing or modification.

Add: # 202, Section A, Building 1 No.209, Sanshe Road, Jinjiang District Industry Park Chengdu  
610063. Sichuan P.R. CHINA

Tel: (+86) 028-85925400/Fax: (+86) 028-85925445

E-mail: [info@trixontech.com](mailto:info@trixontech.com)

<http://www.trixontech.com>

© Copyright Trixon 2014 All rights reserved.

